



水神

Suijin Investments Ltd

ENQUIRES
www.suijin.co.uk
info@suijin.co.uk

TECHNICAL DATA SHEET

SUIJIN VOLUMISING SHOWER

The Suijin Volumiser Shower marks the dawn of a revolutionary new era in shower technology

PRODUCT CODE
S29

The market leading patented technology integrated into every Suijin Volumiser Shower creates a powerful, yet incredibly delicate, volumised mist that vastly increases the surface area of the water that comes into contact with your body. This results in a far more comfortable shower experience that literally cascades over you and leaves your skin intensely rejuvenated and incredibly soft to the touch.

The Suijin Volumiser Shower is like having a personal spa in your own bathroom and , with huge reductions in the volume of water and energy used - saving you an incredible 70% plus of water when compared to other showers. The Suijin Volumiser Shower is a true world leader in helping you to save both energy and money.

The fabulously sleek, minimal and contemporary design of the shower housing is complemented by a high chrome finish and features a quad spray pattern with wipe clean nozzles for the ultimate showering experience.

Experience the stunning Suijin Volumiser Shower for yourself today.

Welcome to the future!

FEATURES

- Water saving patented volumiser technology
- Twist action head with 4 settings: hydro, cascade, massage & relax flow
- No tools needed
- Wipe clean rubber nodules
- Retrofittable, simple, easy installation

BENEFITS

- Eco shower that feels like a high flow shower
- Saves 70% water compared to a standard shower (based on a 3 bar mains flow rate of 10 Ltr/min)
- Save heating energy through saving water
- Skin feels clean, refreshed and softer

KEY FACTS

Pressure range

1 bar - 6 bar

Volumised flow rate @ 3 bar

3 ltr+ - 0.05 l/min

Fitting size

Compatible with std 1/2" BSP shower hoses

Operating medium

Drinking water

Colour

Chrome

Product stability

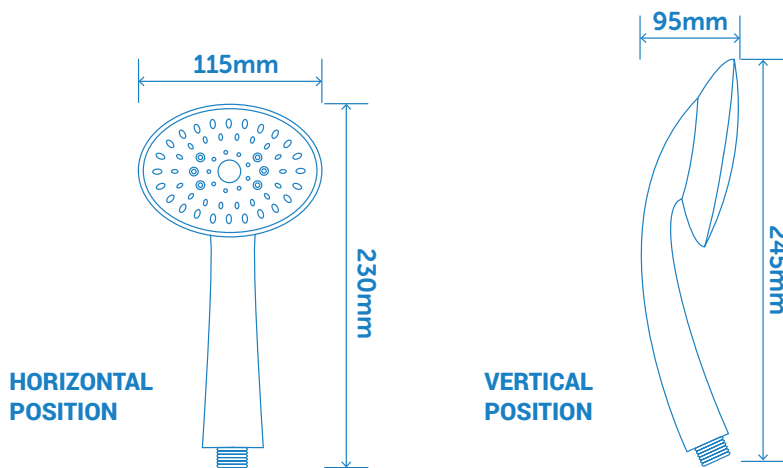
5°C - 55°C

Material

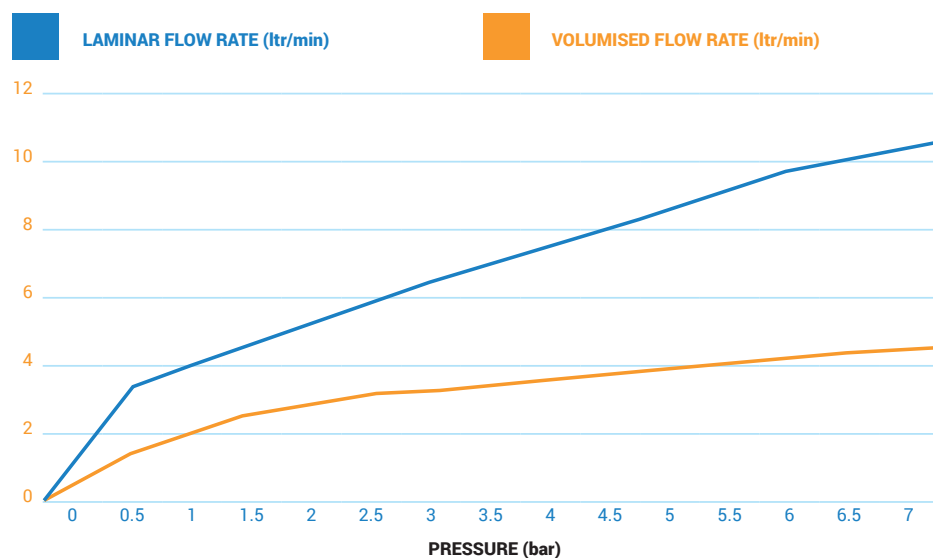
POM

SAVES 70% WATER • SAVES MONEY • SAVES ENERGY

DIMENSIONS



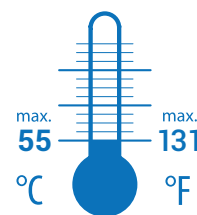
FLOW RATE



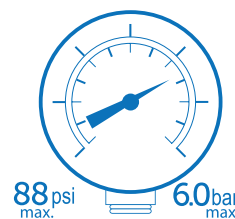
VOLUMISED FLOW



OPERATING CONDITIONS



Continuous



Continuous

EASY INSTALLATION TO FIT COMMON HOSE

1. Remove current hand shower from existing hose
2. Check condition of hose washers.
Replace washer as needed with one supplied
3. Attach your new Suijin hand shower to hose by turning the hose onto the threaded connection at the base of hand shower.
4. Turn on the water and check for leaks.
If leaks are visible at hose connection, tighten connection and retest

WARNING

1. To avoid hot water dangers and conserve even more energy, make sure your water heater is set at 48°C (118°F) or below.
2. Test the shower water with your hand before bathing.
3. Always ensure the handheld shower head is properly placed in the bracket, to prevent the shower head from falling.
4. Do not pull on or tug the flexible hose. This may result in the shower head coming loose and falling.

CARE & CLEANING

To maintain proper working conditions cleaning is required when mineral deposits appear on the spray orifices. To clean mineral deposits, gently rub the rubber nozzles on the face of the shower head to dislodge.

To clean heavier deposits, remove shower head and soak face down in 1-2 cups of white vinegar (use white vinegar only) for about 2-3 hours. Replace shower head and run in each mode to flush out vinegar.

Do not clean or rinse any part with harsh chemicals, heavy duty cleaners, or abrasives; this may damage parts or finish and will void warranty.

SAVES 70% WATER • SAVES MONEY • SAVES ENERGY